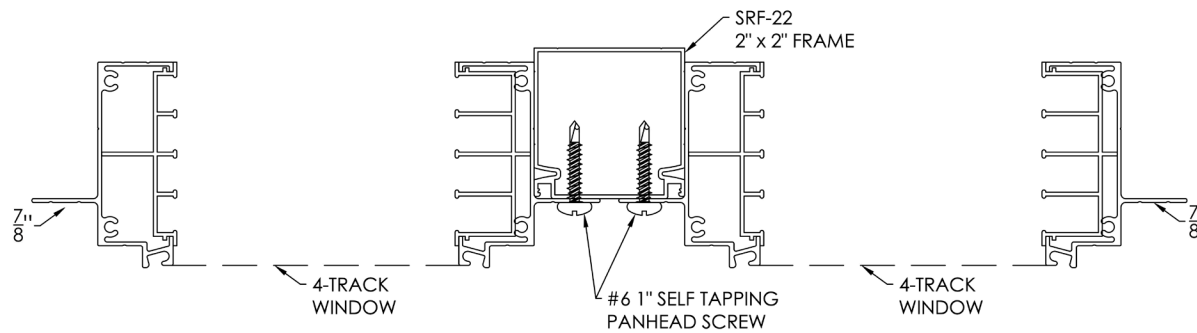


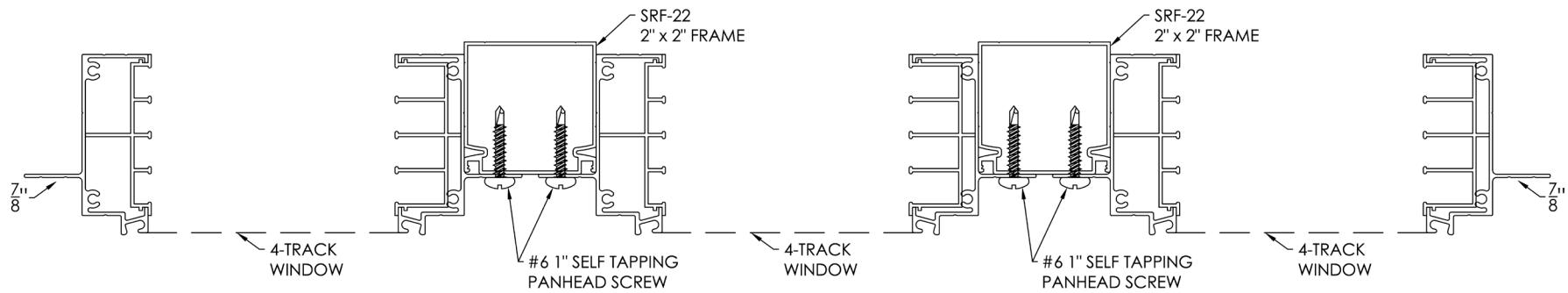
# MULLED UNIT ASSEMBLIES

## Horizontal sections

### Twin Pack

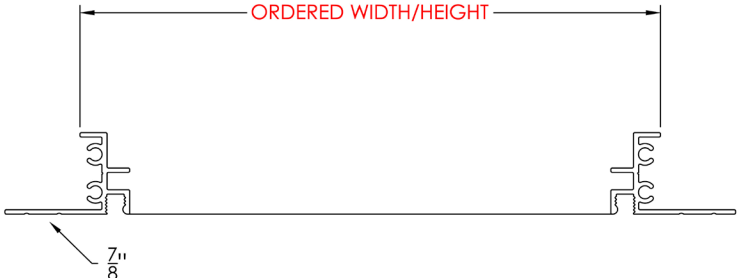


### Triple Pack

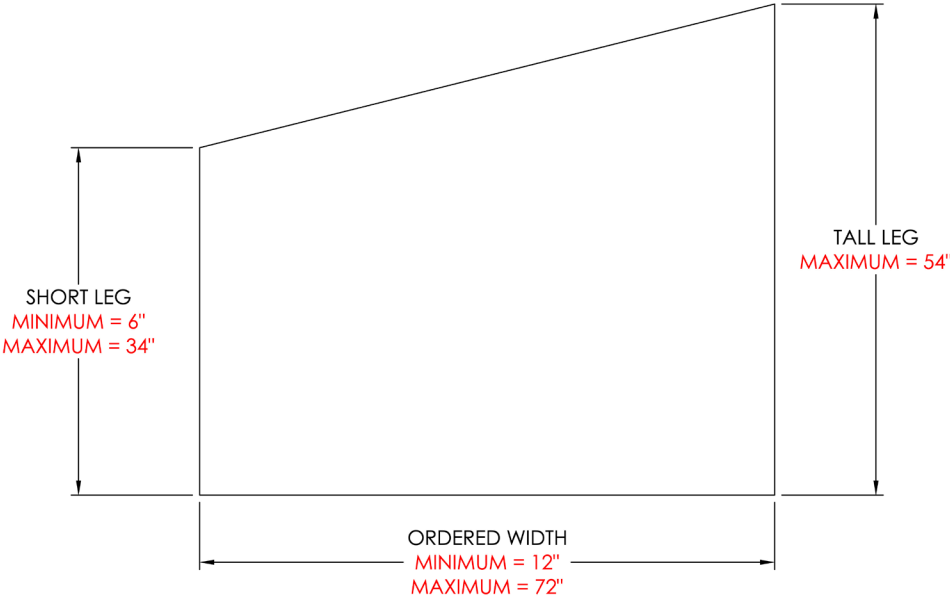


# LIP FRAME DETAILS

## Window section



## Trap details



**ORDERED FRAME SIZE**

**FLEXIGLAZE VINYL:**  
 MINIMUM = 6" W x 6" H  
 MAXIMUM = 52" x 96" H  
 NOTE: SOME ORDERED SIZES  
 MAY REQUIRE SPREADER BARS

**GLASS:**  
 MINIMUM = 12" W x 12" H  
 MAXIMUM = 42" W x 96" H

FOR GLASS UNITS MAXIMUM OVERALL SIZE = 20 SQUARE FEET  
 (INCLUDES TRAPS, MEASURED WIDTH X TALL LEG HEIGHT)