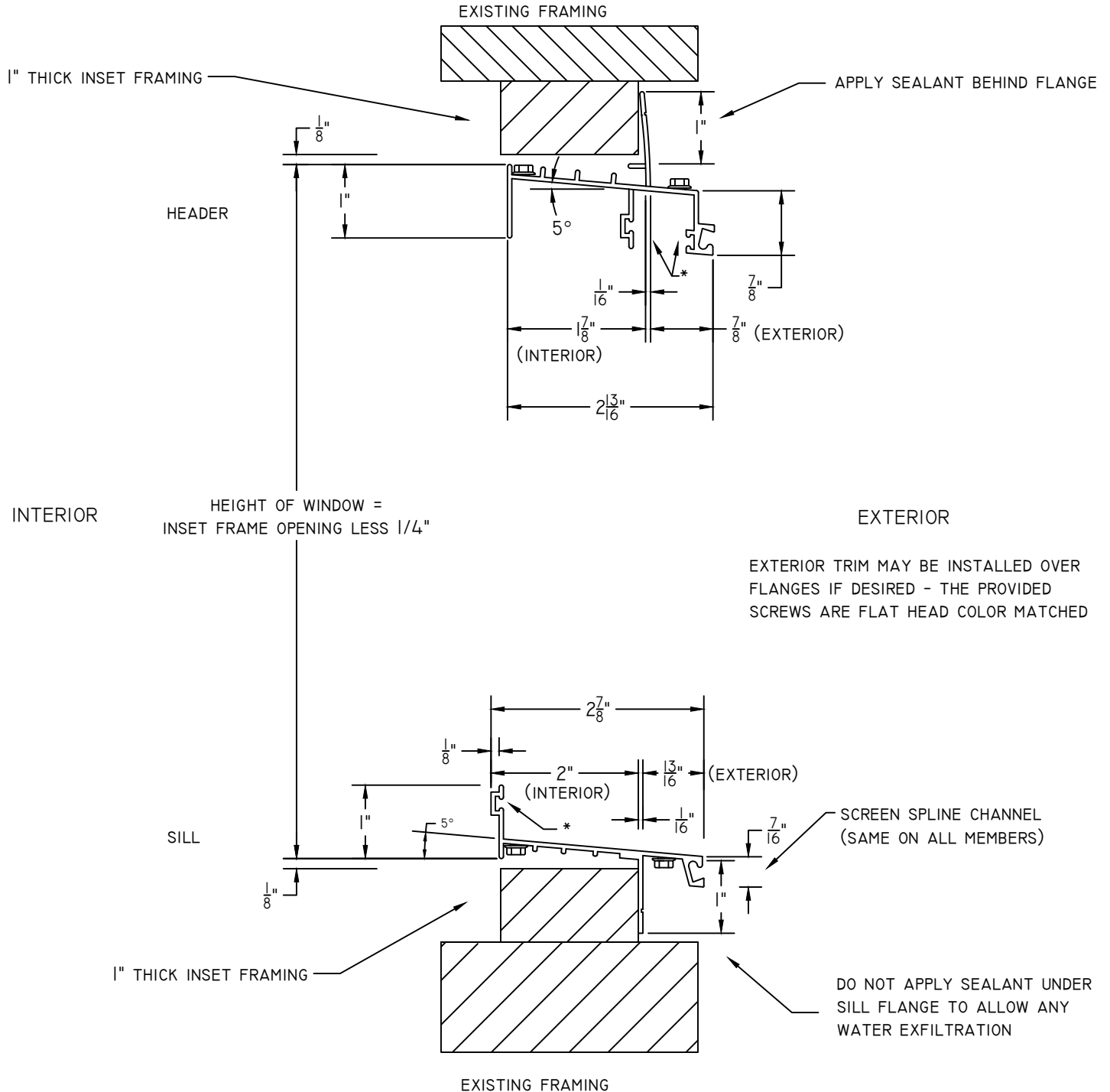


SINGLE XTEND 4-VENT PORCH WINDOW

(16 GA POWDER COATED ALUMINUM EXTRUSIONS, APPROX.  $\frac{1}{16}$ " THICK)

IMPORTANT: PLEASE NOTE THAT WINDOWS UNDER 60" IN HEIGHT WILL HAVE 3-VENT PANELS UTILIZING THE 3 OUTER TRACKS



\* LOCATION OF BRUSH WEATHER STRIPS