



Xtend Vertical 4 track Porch Window Details

Permit Documentation – Sunroom Classification

XTend Porch Windows are constructed with 10 mil (0.25 mm) clear vinyl glazing, consistent with the definition of Category I sunrooms per AAMA/NPEA/NSA 2100, as referenced in IRC Section R301.2.1.1.1.

Category I sunrooms are defined as thermally isolated spaces enclosed with insect screening or plastic film not exceeding 20 mils (0.5 mm) in thickness. XTend systems meet this requirement and are designed for installation in non-conditioned, accessory structures such as screened porches or three-season rooms.

Each XTend unit includes a full-height exterior screen, which is permanently mounted to the outside of the frame. This feature enhances airflow and insect protection while maintaining compliance with Category I criteria.

Fall Protection Compliance – IRC R312

XTend Porch Windows alone do not qualify as a code-compliant guard under IRC R312, due to the use of flexible vinyl glazing. For elevated installations where fall protection is required (surfaces >30" above grade), we offer an optional fixed tempered glass panel system installed to a height of 36 inches. This system functions as a compliant guard when properly anchored and meets the performance requirements for structural loading per IRC Table R301.5. See Detail A.

Scope of Supply and Installation Notes

Porch Windows Direct supplies window units, mounting screws, and sealant. All framing, structural engineering, trim work, and finishing are the responsibility of others. When fixed tempered glass panels are used to meet guardrail requirements, an intermediate sill or structural support at 36" height is required and must be provided and installed by others in accordance with applicable building codes.

XTend windows feature integrated, pre-drilled mounting flanges for ease of installation. Units are to be fastened using the provided screws through the flanges. Side and top flanges must be sealed using the supplied caulk during installation.

If exterior trim is applied over the flange, window flashing tape is recommended to maintain a proper water and air seal behind the trim.



8100 Old Cedar Ave S, Ste 350

Bloomington, MN 55425

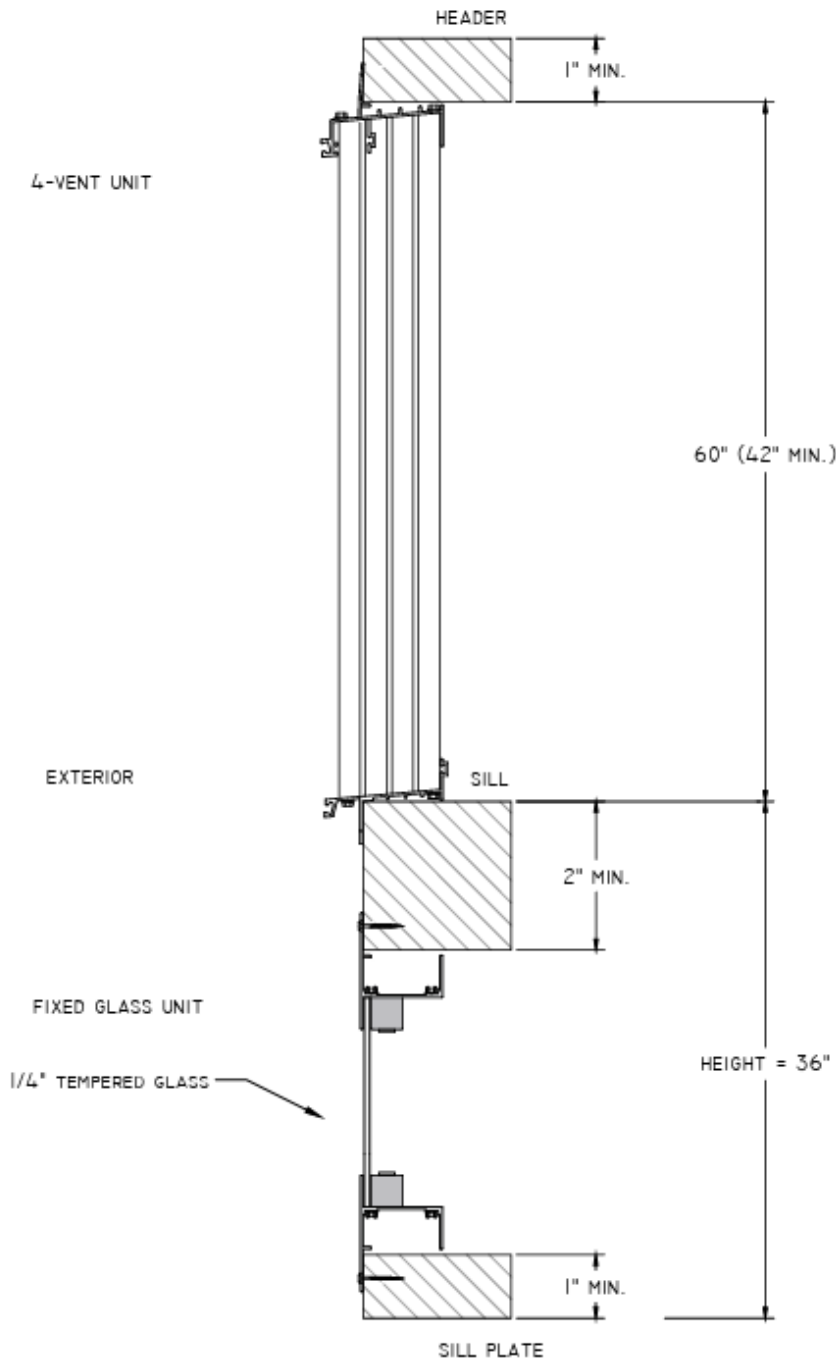
Porchwindowsdirect.com

651-505-0062



Porch Windows

DIRECT



DETAIL A



8100 Old Cedar Ave S, Ste 350

Bloomington, MN 55425

Porchwindowsdirect.com

651-505-0062

Xtend
PORCH WINDOWS
The ONLY Factory Direct Porch
Window Solution
by PorchWindowsDirect.com